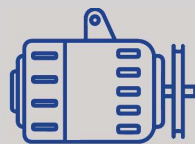




**SUPER
SILENCED**

Soundproof canopy



Asynchronous alternator



Heavy duty

Compact and resistant super silenced engine driven welder, thanks to the forkable base and the practical central lifting hook is suitable for frequent handling.

Equipped with Kubota or Yanmar 3000 RPM engine and on board control, it's fitted for remote control operation.

Asynchronous alternator for a better welding current quality, clean and distortion free wave form. Just like all GenSet engine driven welders, it is designed to be used as both a generator and welder simultaneously, its simple and smart design allows a practical and easy use.

MPM 9/300 SSK - 9/310 SSY STANDARD EQUIPMENT



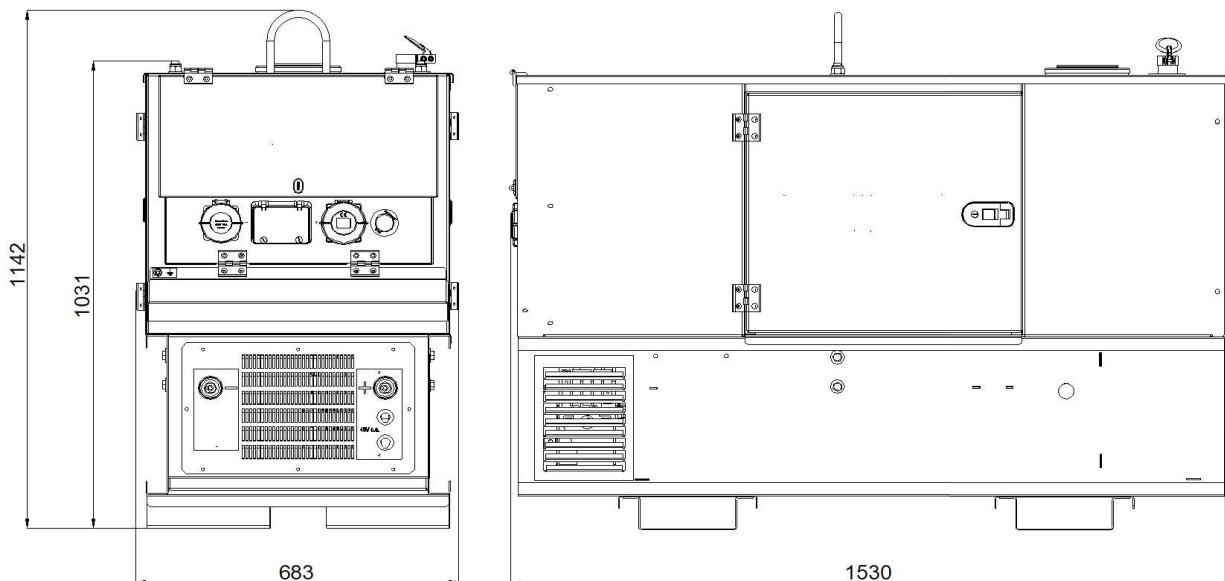
MPM 9/300 SSK - 9/310 SSY



Shielded Metal Arc Welding (SMAW)

- Arc Force Control
- Remote control socket
- Auto engine protection shutdown system with warning lights for: battery charger failure, low fuel level, low oil pressure, high water temperature;
- Fuel level gauge
- Starting battery
- Emergency stop button
- Hourmeter
- Voltmeter
- Automatic idle device when no load is connected
- 1 x 32 A - 230 V single-phase socket
- 1 x 16 A - 400 V three-phase socket
- 48 V output
- Earth leakage circuit breaker (ELCB)
- Power output protections
- Engine oil drain pipe
- Bunded tank
- Central lifting hook

DIMENSIONS IN MM



	MPM 9/300 SSK	MPM 9/310 SSY
Noise level Lwa	92 (67 dB a 7 mt)	
AC generator-50Hz	Asynchronous	
Three-phase max. power	8 kVA - 400 V	
Single-phase max. power	2,7 kVA - 230 V	
Single-phase max. power	5 kVA - 48 V	
Power Factor	cos φ 0,8	
DC welding	Electronic current regulation	
Duty Cycle @ 60%:	270 A - 31 V	
Output range:	30 A - 300 A	
Open Circuit Voltage:	70 V	
Max welding rod:	6 mm	
3000 RPM engine	Kubota D 722	Yanmar 3TNM72
Fuel	Diesel	Diesel
No. cylinders	3	3
Power	19 HP (14 kWm)	19,4 HP (14,4 kWm)
Displacement	719 cm3	904 cm3
Cooling system	Water	Water
Starting system	Electric	Electric
Fuel tank capacity	50 lt	50 lt
Fuel consumption @75%	3,3 lt/h	5,1 lt/h
Insulation Class	H	
Ambient temperature	40 °C	
Altitude	1000 mt	
Degree of protection	IP 23	
Dimensions (LxWxH)	1530x683x1142 mm	
Dry weight	435 kg	475 kg

MPM 9/300 SSK - 9/310 SSY

Options on request

- Spark arrester muffler
- TIG (Tig Lift Arc) welding
- MIG (Metal Inert Gas) welding

Accessories

- ST35 Welding cables with accessories
- Welding remote control
- Reverse polarity switch kit (separate)
- MIG wire feeder with 10 mt connection cable
- Parallel welding box with ammeter and voltmeter (P-BOX)
 - 2 wheels trolley with handles
 - GRT2W: 2 wheels site trailer



NOTE
